

# OL32D LED Low Intensity Double Aviation Obstruction Light

•ICAO LIOL-A, LIOL-B, LIOL-E •FAA L-810, L-810(F)



## OVERVIEW

OL32D low intensity double obstruction light is composed of two OL32S single lights and a compartment for its control board. It has two operation modes: "Service+Standby" and "Service+Service".

**Service+Standby:** two OL32S single lights work simultaneously, and either failure does not affect the other normal operation.

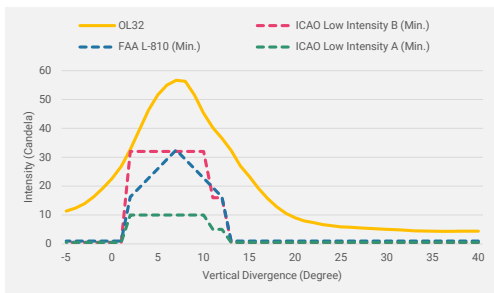
**Service+Service:** one OL32S single light (Service light) operates normally. Once Service light fails, OL32D automatically transfers to Standby light for continuous operation.

With a G3/4" universal threaded hub on the bottom, OL32D can be mounted on a conduit or with REDDOT brackets designed for towers and buildings. There is a terminal block on the control board in the intermediate compartment, for connecting to power and alarm.

In most cases, OL32D double obstruction lights are installed on top of structures less than 45m. In some cases, multiple OL32D double lights are used in one or more horizontal levels for marking a structure's outline with medium intensity obstruction lights.

## COMPLIANCE

- Obstacle Light Low Intensity Type A, Type B and Type E, ICAO Annex 14 Volume I July 2016
- L-810 and L-810F, FAA AC No. 150/5345-43F
- DGAC Mexico



## APPLICATIONS



- Telecommunication Tower
- TV/Radio Tower
- Transmission Tower
- High-rise building
- Industrial Chimney & Cooling Tower
- Tower Crane
- Bridge
- Wind turbine
- Airfield & helipad
- Storage tank & Water tower
- Oil & Gas offshore platform

## FEATURES

- Super-bright Philips LEDs, reliable light source ensures long lifespan
- The efficient optical design provides excellent light distribution
- Internal LED driver and constant current regulator make the light illuminate steadily
- 96% more energy-saving than traditional 100W incandescent light bulb
- PCB integrated LED module and circuit provide better vibration resistant than E27 type
- GE polycarbonate dome, UV-stabilized
- Bird spike for preventing birds from landing and nesting
- Aluminum base with powder painted, corrosion-resistant
- Silicon gaskets enhance waterproof
- G3/4" threaded bottom entry for easily mounting
- Stainless steel safety rope protects middle compartment lid from fall-off during maintenance
- Middle control board for controlling operation mode
- Built-in 6-pin terminal blocks for connecting power and alarm
- Built-in photocell for auto on/off is available
- Both NO and NC dry alarm contacts are available
- Protection: Polarity reverse, overvoltage and shortcircuit



## SPECIFICATIONS

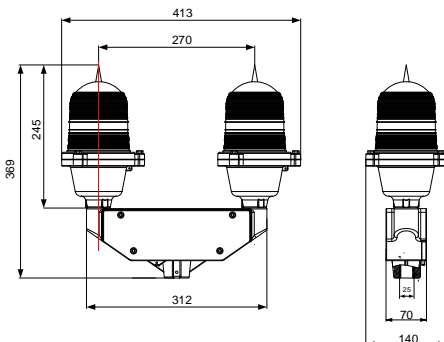
Item		OL32DST	OL32DSS
			
LIGHT OUTPUT	Effective Intensity	>32.5cd	
	Vertical beam	>10°	
	Horizontal Spread	360°	
	Light Source	Philips LEDs	
	LED Color	Red	
	LED Lifespan	100,000 Hours	
OPERATION	Flash Pattern	Steady burning / Flashing (20FPM as default)	
	Operation Mode	Service+Standby	Service+Service
POWER SUPPLY	Input Voltage	85-265VAC, 50-60Hz / 48VDC / 24VDC / 12VDC	
	Power Consumption	4W	8W
MECHANICAL STRUCTURE	Lens	<b>Material:</b> Polycarbonate, UV Stabilized <b>Color:</b> White transparent (Standard) / Red (Optional)	
	Body	Aviation yellow powder-coated die-casting Aluminum	
	Mounting	G3/4" threaded bottom entry	
	Net Weight	3.5KG	
	Dimension(L*W*H)	413mm*140mm*369mm	
	Protection	•IP65 (Standard) •IP67 (With REDDOT 3-piece waterproof fitting)	
	Operation Temperature	-40°C~+70°C	
	Operation Humidity	0-95% RH non-condensing	
	Wind resistance	Max.240kph	
OTHERS	Optional	•Built-in photocell •Dry alarm contacts •3-piece waterproof fitting for IP67 •Red Lens	
	Warranty	5 years	

## ORDERING CODE

Main P/N	Voltage	Flashing	Photosensor	Alarm Relay	Operation Mode
OL32D	A220 (85-265VAC)	[Blank] (Steady)	[Blank] (without photosensor)	[Blank] (without Alarm Contacts)	ST (Service + Standby)
	A120 (85-265VAC)	F (Flashing)	P (with photosensor)	R (with Alarm Contacts)	SS (Service + Service)
	D48 (48VDC)				
	D24 (24VDC) D12 (12VDC)				

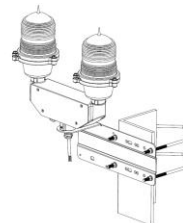
E.g.: OL32DD48FPRST = LED low intensity double obstruction light, 48VDC, red flashing>32cd, with built-in photocell, with NO and NC dry alarm contacts, service+standby

## DIMENSIONS



## MOUNTING

### U-bolt mounting



AKU30150-VB bracket (U-bolt holders)  
for dia.30-150mm  
angular/tubular structures

### Cable-tie mounting



AKU30150-CT bracket (Cable tie holders)  
for dia.30-150mm  
angular/tubular structures

