

F86465 LED DC Medium Intensity Red/White Dual Aviation Obstruction Light

•Night: Red 2000cd±25% •Day: White: 20,000cd±25% •24-48VDC



■ COMPLIANCE

- Obstacle Light Medium Intensity Type A/B, Type A/C, ICAO Annex 14 Volume I July 2016
- FAA AC No. 150/5345-43, L-864/865
- DGAC Mexico

■ APPLICATIONS

- Telecommunication Tower
- TV/Radio Tower
- Transmission Tower
- High-rise building
- Industrial Chimney & Cooling Tower
- Tower Crane
- Bridge
- Wind turbine
- Airfield & helipad
- Storage tank & Water tower
- Oil & Gas offshore platform

■ OVERVIEW

F86465-DC is a dual red/white LED medium intensity beacon operating under 24-48VDC. It illuminates white light 20,000 candelas at daytime and red light 2,000 candelas at nighttime. F86465 model is compliant to FAA L-864/L-865 and ICAO medium intensity type A/B & type A/C.

F86465's LED module consists of 14 pcs OSRAM red LEDs and 42 pcs OSRAM super-power white LEDs. The optical design ensures the effective intensity and spread beam meet the criteria of ICAO and FAA.

F86465 DC light head is equipped with an aluminum column inside and a heatsink on top for enhanced thermal cooling. The straight fin arrangement of the heatsink maximizes airflow to optimize heat dissipation performance and stability.

F86465 medium intensity LED obstruction light can work independently with self-controlled configurations (e.g., built-in photocell, flashing program, GPS) as an economical solution. In a central controlling and monitoring system, CB3 control box can connect multiple levels of F86465 beacons to achieve synchronous or sequential flashing.

The red/white dual medium intensity beacon is usually used for unpainted structures over 45m, such as radio and TV towers, chimneys, cooling towers and skyscrapers.

■ FEATURES

- DC input voltage: 24-48VDC
- Super-bright OSRAM LEDs, reliable light source ensures long lifespan
- Efficient photometric design provides excellent light distribution
- Internal LED driver and constant current regulator make the light illuminate steadily
- White flashing 20,000cd at day and auto transfer to red flashing 2,000cd at night
- ICAO obstacle lighting medium intensity type A/B, A/C; FAA type L-864/L-865
- Built-in photocell for automatically switching red and white from dusk to dawn
- Aluminum heatsink provides excellent thermal dissipation performance
- Powder-painted aluminum base provides good weather and corrosion resistant
- Protective vent for balancing pressure and reducing condensation
- Excellent shock and vibration resistant
- UV-stabilized lens, high temperature resistant
- Built-in 20KA surge protector module to protect the light from induction lightning strike
- A handle on the light shoulder makes carrying and lifting easier for deployment
- Prewired cable makes wiring job easier
- Protection: Polarity reverse, overvoltage and shortcircuit
- Optional functions available: alarm relay/GPS
- IP67 waterproof protection



SPECIFICATIONS

Item		F86465-DC Specifications
LIGHT OUTPUT	Effective Intensity	Day: white 20,000cd±25%, night: red 2,000cd±25%
	Vertical beam	>3°
	Horizontal Spread	360°
	Light Source	OSRAM LEDs
	LED Color	Red & White
	LED Lifespan	100,000 Hours
OPERATION	Flash Pattern	20-60FPM for white, steady or 20-60FPM for red
POWER SUPPLY	Input Voltage	24-48VDC
	Rated Power	310W@day; 40W@night
	Power Consumption	46W@day; 32W (Flashing@20FPM)/40W (Steady)@night
MECHANICAL STRUCTURE	Lens	Photometric lens: Polycarbonate, UV Stabilized Outer lens: Acrylic, UV Stabilized
	Body	Powder-coated extruding aluminum
	Mounting	Four 16*25mm slot holes on bottom 200 mm PCD
	Net Weight	8KG
	Dimension(W*H)	235mm*360mm
	Protection	IP67
	Operation Temperature	-40°C~+70°C
	Operation Humidity	0-95% RH non-condensing
	Wind resistance	Max.240kph
	OTHERS	Optional
Warranty		5 years

ORDERING CODE

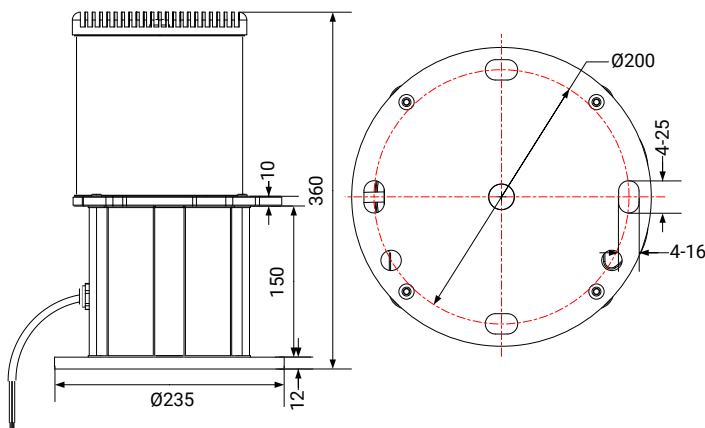
Main P/N	Voltage	Type	Photosensor (Note)	Alarm Relay	GPS
F86465	D48 (48VDC)	BA (red flashing white flashing)	P (with photosensor)	[Blank] (without dry Contacts)	[Blank] (Without GPS)
	D24 (24VDC)	CA (red steady white flashing)		R (with dry Contacts)	GPS (With GPS)

Notes: 1) Built-in photocell is a must for F86465 dual beacon to detect background lux level for automatically switching between night-red and day-white.

2) Form C type dry contacts, both NO and NC available.

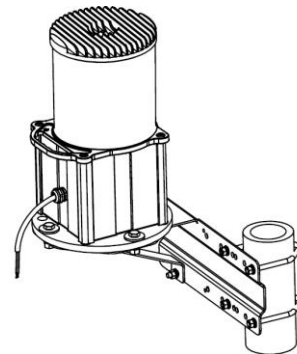
E.g.: F86465D48-BA-P-GPS = Dual medium intensity red/white beacon, 48VDC, red flashing 2000cd at night and white flashing 20,000cd at day, MIOL-A/B, with built-in photocell, with GPS sync

DIMENSIONS



MOUNTING

V-bolt mounting



AMP30150S bracket (V-bolt holders) for dia.30-150mm angular/tubular structures

