

AKU-CT Series Mounting Bracket for Low Intensity Obstruction Lights

Applicable for: OL32S, OL32D, OL100S, OL100D



OVERVIEW

AKU-CT series mounting bracket is suitable for OL32/OL100 low intensity obstruction lights with G3/4" threaded bottom hub.

The bracket design of perpendicular backplate with SS304 cable-tie holders allows users to mount OL32/OL100 single or double lights onto skeletal structures, such as telecom towers, transmission towers.

Made of SS304, AKU bracket kit is robust against corrosion and harsh environment.

With 3-piece waterproof fitting in AKU bracket kit, the protection grade of OL32/OL100 can reach up to IP67.

The cable-tie holders are capable of suiting length 30-150mm angular structures or diameter 30-200mm tubular structures.

FEATURES

- SS304 main plate and cable tie holders
- With IP67 waterproof kit
- Suitable for length 30-150mm angular structure or diameter 30-200mm tubular structures

APPLICABLE OBL MODELS

- OL32S, OL32D, OL100S, OL100D



■ SPECIFICATIONS

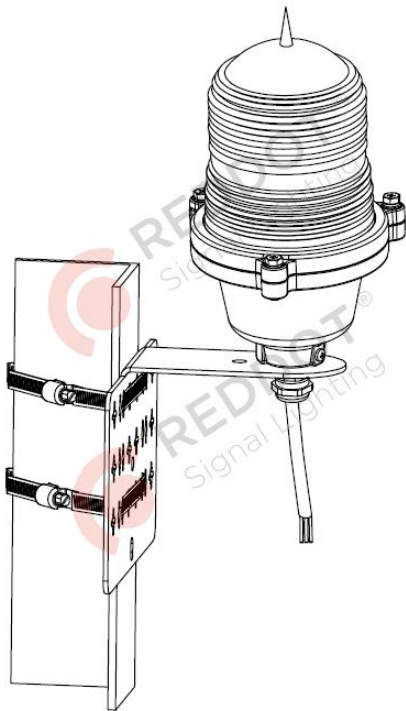
	AKU-CT Bracket Specifications
Plate's material	SS304
Holders' type & material	Cable-tie holders, SS304
Plate's dimension (L*W*H)	200mm*138mm*138mm
Holders' dimension (L*W*Thickness)	628mm*12mm*0.6mm
Number of holders	2 for single light, 3 for double light
Suitable angular length	30-150mm
Suitable tubular diameter	30-200mm
Suitable models	OL32S/OL100S/OL100S/OL100D

■ ORDERING CODE

- AKU30150-CT

■ APPLICATION EXAMPLES

AKU30150-CT for OL32S/OL100S single lights



AKU30150-CT for OL32D/OL100D double lights

