

AMP-CT Series Mounting Bracket for REDDOT Obstruction Lights

Applicable for: PL10S, PL32S, OM2K



■ OVERVIEW

AMP-CT series mounting bracket is suitable for REDDOT PL10/PL32/OM2K with four 10.5*23.2mm slot holes on bottom 204.5mm PCD.

The bracket design of perpendicular backplate with SS304 cable-tie holders allows users to mount PL10/PL32/OM2K onto skeletal structures, such as telecom towers, transmission towers.

Made of SS304, AMP bracket kit is robust against corrosion and harsh environment.

The cable-tie holders are capable of suiting length 30-150mm angular structures or diameter 30-200mm tubular structures.

■ FEATURES

- SS304 main plate and fasteners
- SS304 cable tie holders
- Suitable for 30mm-150mm angular structures or 30-200mm tubular structures

■ APPLICABLE OBL MODELS

- PL10S, PL32S, OM2K



■ SPECIFICATIONS

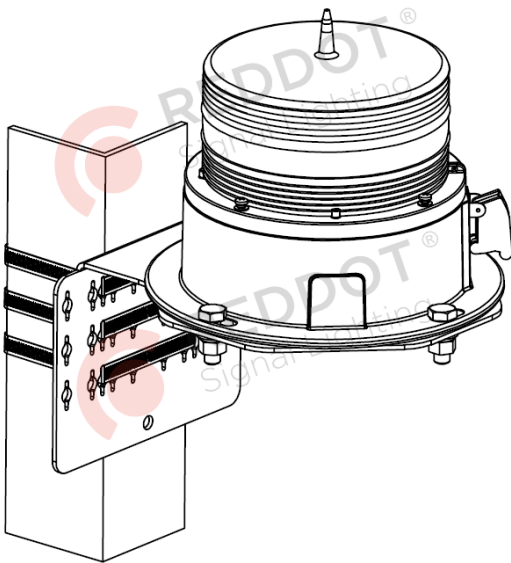
	AMP-CT Bracket Specifications
Plate's material	SS304
Holders' type & material	Cable-tie holders, SS304
Plate's dimension (L*W*H)	260mm*226mm*138mm
Holders' dimension (L*W*Thickness)	628mm*12mm*0.6mm
Number of holders	3
Suitable angular length	30-150mm
Suitable tubular diameter	30-200mm
Suitable models	PL10S/PL32S/OM2K

■ ORDERING CODE

- AMP30150-CT

■ APPLICATION EXAMPLES

AKU30150-CT for PL10S/PL32S solar single light



AKU30150-CT for OM2K

