

AMP-VB Series Mounting Bracket for REDDOT obstruction lights

Applicable for: OM2K, OL200, OL500, F864, PL10S, PL32S

AMP*-VB-390



AMP*-VB-260



OVERVIEW

AMP-VB series mounting bracket is suitable for REDDOT OL200/OL500/F864 obstruction lighting models with four 16*25mm slot holes on bottom 200 mm PCD, PL10/PL32/OM2K with four 10.5*23.2mm slot holes on bottom 204.5mm PCD.

The bracket design of perpendicular backplate with U-bolt holders allows users to mount OL200/OL500/F864/PL10/PL32/OM2K onto skeletal structures, such as telecom towers, transmission towers.

Made of SS304, AMP bracket kit is robust against corrosion and harsh environment.

Three sizes of U-bolt holders are capable of suiting length 40-125mm angular structures or diameter 42-150mm tubular structures.

FEATURES

- SS304 main plate and fasteners
- Three sizes of U-bolt holders to suit length 40-125mm angular structures or diameter 42-150mm tubular structures
- AMP-VB-80 applicable for both horizontal and vertical structures

APPLICABLE OBL MODELS

- OM2K, OL200, OL500, F864, PL10S, PL32S



■ SPECIFICATIONS

AMP-VB Series Bracket Specifications			
Plate material	SS304		
Fasteners material	SS304		
U-bolt Holders material	SS304		
U-bolt part number	80	100	150
Applicable angle/tube orientation	Horizontal & Vertical	Vertical	Vertical
Suitable angular length	40-70mm	63-80mm	90-125mm
Suitable tubular diameter	42-80mm	60-100mm	90-150mm
Suitable models	PL10S/PL32S/OM2K/OL200/OL500/F864		

■ ORDERING CODE

Series	U-bolt Part Number ^(Note1)	Holder Type	Backplate Size ^(Note2)
AMP	80	VB (U-bolts)	260 390
	100		
	150		
	40100		
	60150		
	40150		

Notes: 1) Refer to suitable angular length and tubular diameter for each U-bolt size in specification table. 40100 is the combination of 80 & 100; 60150 is the combination of 100 & 150; 40150 is the combination of 80, 100 and 150.

2) Both sizes of bakplate fit all mentioned U-bolt sizes.

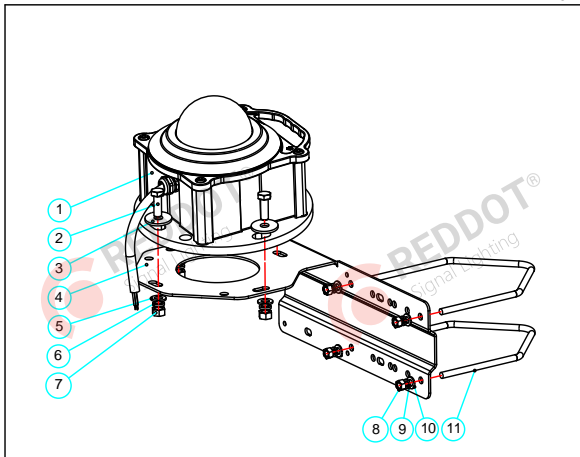
E.g.: AMP40150-VB-260, mounting bracket for PL10S/PL32S/OL200/OL500/OM2K, SS304, 260mm main plate, u-bolt holders for 40-125mm angular length or 42-150mm tubular diameter.

Appendix A and Appendix B demonstrate the AMP series mounting bracket drawings by taking OL200 low intensity light and PL10S solar low intensity light as the mounted objects.



Appendix A

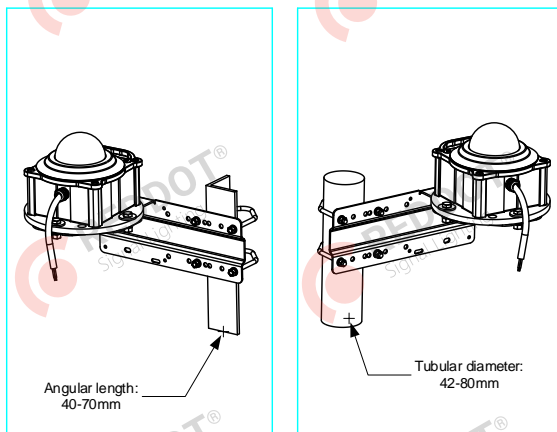
AMP80/100/150-VB-390 for OL200/OL500 low intensity obstruction lights



Bill of Material				
NO	Name	Description	Materials	QTY
1	OL200/OL500	∅235*175mm,		1
2	Hex bolts	GB/T5781-2000, M10*35	SUS 304	4
3	Flat Washer	GB/T 5287-1985 ,M10	SUS 304	4
4	Mounting plate	390*265*138mm,	SUS 304	1
5	Flat Washer	GB/T 95-2002 ,M10	SUS 304	4
6	Spring Washer	GB/T 93-1987 ,M10	SUS 304	4
7	Hex Nuts	GB/T 6170-2000 ,M10	SUS 304	4
8	Hex Nuts	GB/T 6170-2000 ,M8	SUS 304	4
9	Spring Washer	GB/T 93-1987 ,M8	SUS 304	4
10	Flat Washer	GB/T 95-2002 ,M8	SUS 304	4
11	U-Bolt-M8	80/100/150 M8 U-Bolts	SUS 304	2/2/2

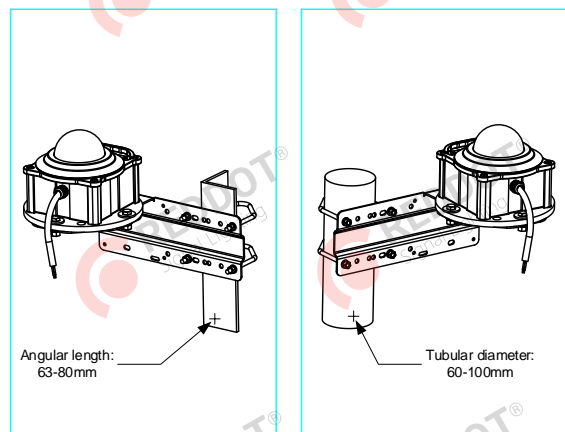
AMP80-VB-390

Applicable size: For leg length 40-70mm angular structure or diameter ∅42-∅80mm tubular structure.
Mounting direction: Vertical



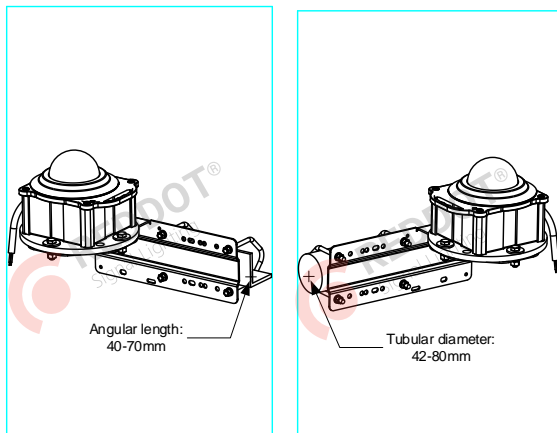
AMP100-VB-390

Applicable size: For leg length 63-80mm angular structure or diameter ∅60-∅100mm tubular structure.
Mounting direction: Vertical



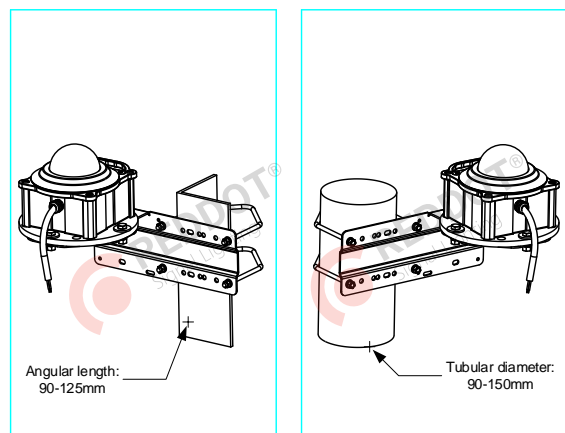
AMP80-VB-390

Applicable size: For leg length 40-70mm angular structure or diameter ∅42-∅80mm tubular structure.
Mounting direction: Horizontal



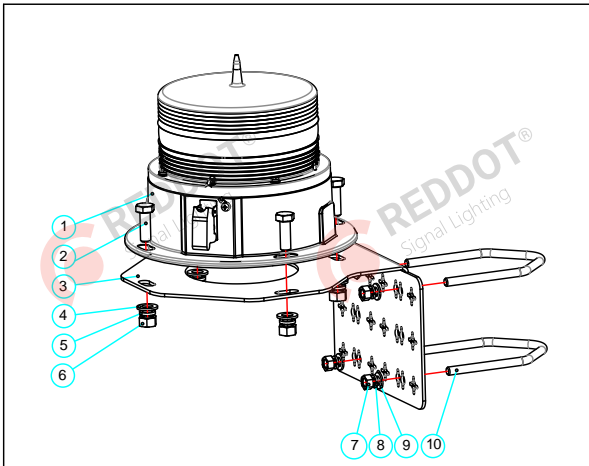
AMP150-VB-390

Applicable size: For leg length 90-125mm angular structure or diameter ∅90-∅150mm tubular structure.
Mounting direction: Vertical



Appendix B

AMP80/100/150-VB-260 for PL10S/PL32S solar low intensity aviation lights

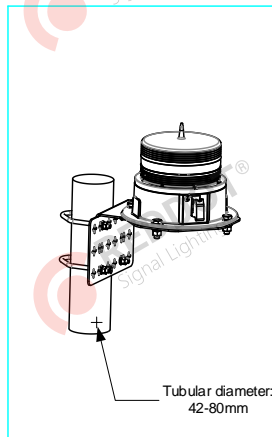
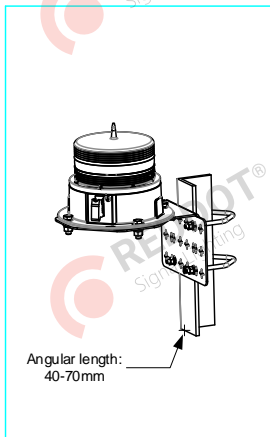


Bill of Material

NO	Name	Description	Materials	QTY
1	PL10S/PL32S	∅226*185.5mm,		1
2	Hex bolts	GB/T5781-2000, M10*35	SUS 304	4
3	Mounting plate	260*226*138mm,	SUS 304	1
4	Flat Washer	GB/T 95-2002 ,M10	SUS 304	4
5	Spring Washer	GB/T 93-1987 ,M10	SUS 304	4
6	Hex Nuts	GB/T 6170-2000 ,M10	SUS 304	4
7	Hex Nuts	GB/T 6170-2000 ,M8	SUS 304	4
8	Spring Washer	GB/T 93-1987 ,M8	SUS 304	4
9	Flat Washer	GB/T 95-2002 ,M8	SUS 304	4
10	U-Bolt-M8	80/100/150 M8 U-Bolts	SUS 304	2/2/2

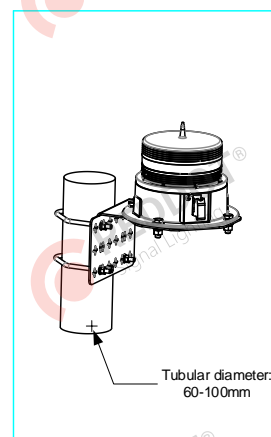
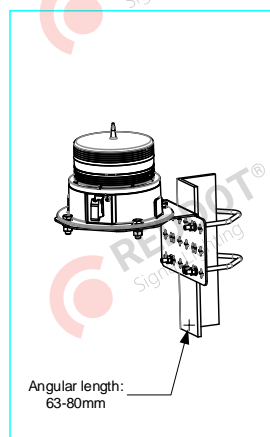
AMP80-VB-260

Applicable size: For leg length 40-70mm angular structure or diameter ∅42-∅80mm tubular structure.
Mounting direction: Vertical



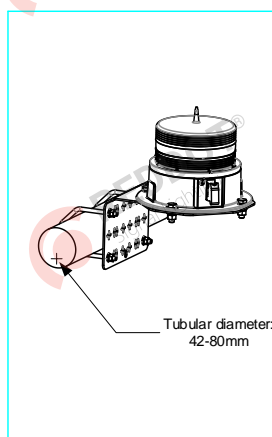
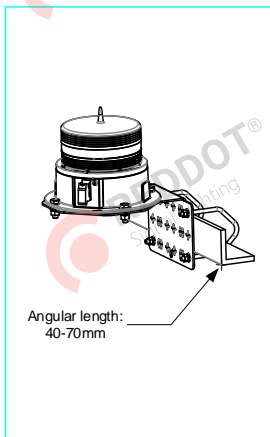
AMP100-VB-260

Applicable size: For leg length 63-80mm angular structure or diameter ∅60-∅100mm tubular structure.
Mounting direction: Vertical



AMP80-VB-260

Applicable size: For leg length 40-70mm angular structure or diameter ∅42-∅80mm tubular structure.
Mounting direction: Horizontal



AMP150-VB-260

Applicable size: For leg length 90-125mm angular structure or diameter ∅90-∅150mm tubular structure.
Mounting direction: Vertical

