

F86465 AC LED Medium Intensity Red/White Dual Aviation Obstruction Light

•Night: Red 2000cd±25% •Day: White: 20,000cd±25% •90-264VAC,50-60Hz



OVERVIEW

F86465 medium intensity red/white dual beacon AC system consists of a 48VDC F86465 flash head and a 240W power converter box.

The 48VDC F86465 light head can operate range from 24VDC to 48VDC. Incorporated a microcontroller, it flashes white light 20,000 candelas at daytime and red light 2,000 candelas at nighttime. F86465's LED module consists of 14 pcs OSRAM red LEDs and 42 pcs OSRAM super-power white LEDs. The optical design ensures the effective intensity and spread beam meet the criteria of FAA L-864/L-865 and ICAO medium intensity type A/B & type A/C.

The 240W converter box is capable of converting universal AC (90-264VAC) to 48VDC for powering the F86465 48VDC light head. F86465 AC system is an ideal solution where the power module can be easily accessible to be maintained.

F86465 medium intensity LED obstruction light can work independently with self-controlled configurations (e.g., built-in photocell, flashing program, GPS) as an economical solution. In a central controlling and monitoring system, CB3 control box can connect multiple levels of F86465 beacons to achieve synchronous or sequential flashing.

The red/white dual medium intensity beacon is usually used for unpainted structures over 105m, such as radio and TV towers, chimneys, cooling towers and skyscrapers.

COMPLIANCE

- Obstacle Light Medium Intensity Type A/B, Type A/C, ICAO Annex 14 Volume I July 2016
- FAA AC No. 150/5345-43, L-864/865
- DGAC Mexico

APPLICATIONS

- Telecommunication Tower
- TV/Radio Tower
- Transmission Tower
- High-rise building
- Industrial Chimney & Cooling Tower
- Tower Crane
- Bridge
- Wind turbine
- Airfield & helipad
- Storage tank & Water tower
- Oil & Gas offshore platform

FEATURES

- F86465-DC light unit operation voltage: 24-48VDC
- 240W power converter module input voltage: 90-264VAC, efficiency over 90%, easy to maintain
- Super-bright OSRAM LEDs, reliable light source ensures long lifespan
- Efficient photometric design provides excellent light distribution
- Internal LED driver and constant current regulator make the light illuminate steadily
- White flashing 20,000cd at day and auto transfer to red flashing 2,000cd at night
- Aluminum heatsink provides excellent thermal dissipation performance
- Powder-painted aluminum base provides good weather and corrosion resistant
- Protective vent for balancing pressure and reducing condensation
- Excellent shock and vibration resistant
- UV-stabilized lens, high temperature resistant
- Built-in 20KA surge protector module to protect the light from induction lightning strike
- A handle on the light shoulder makes carrying and lifting easier for deployment
- Prewired cable makes wiring job easier
- Protection: Polarity reverse, overvoltage and shortcircuit
- Optional functions available: alarm relay/GPS
- IP67 waterproof protection



SPECIFICATIONS

Item		F86465D48 Specifications
LIGHT OUTPUT	Effective Intensity	Day: white 20,000cd±25%, night: red 2,000cd±25%
	Vertical beam	>3°
	Horizontal Spread	360°
	Light Source	OSRAM LEDs
	LED Color	Red & White
	LED Lifespan	100,000 Hours
OPERATION	Flash Pattern	20-60FPM for white, steady or 20-60FPM for red
POWER SUPPLY	Operation voltage	24-48VDC
	Rated Power	310W@day; 40W@night
	Power Consumption@40FPM	46W@day; 13.3W@night
MECHANICAL STRUCTURE	Lens	Photometric lens: Polycarbonate, UV Stabilized Outer lens: Acrylic, UV Stabilized
	Body	Powder-coated extruding aluminum
	Mounting	Four 16*25mm slot holes on bottom 200 mm PCD
	Net Weight	8KG
	Dimension(W*H)	235mm*360mm
	Protection	IP67
	Operation Temperature	-40°C~+70°C
	Operation Humidity	0-95% RH non-condensing
	Wind resistance	Max.240kph
OTHERS	Optional	•Dry alarm contacts •GPS
	Warranty	5 years

Item		PSUA220D48-240 Specifications
INPUT	Input voltage	90-264VAC,50-60Hz
	Power Factor	0.94/230VAC 0.99/115VAC at full load
	Efficiency	94%
OUTPUT	Output voltage	48VDC (48-55VDC adjustable)
	Rated power & current	240W, 5A
	Peak power & current	360W, 7.5A
MECHANICAL STRUCTURE	Enclosure Type	Outdoor
	Enclosure Material	SS304
	Protection	IP65
	Weight	5KG
	Dimension (H*W*Depth)	300*250*200mm
	Operation Temperature	-25°C~+70°C
	Operation Humidity	20-95% RH non-condensing
Mounting	Wall mounting or U-bolt mounting	

ORDERING CODE

ORDERING CODE of F86465D48 light unit					
Main P/N	Voltage	Type	Photosensor ^(Note1)	Alarm Relay ^(Note2)	GPS
F86465	D48 (48VDC)	BA	P	[Blank]	[Blank]
		(red flashing white flashing)	(with photosensor)	(without dry Contacts)	(Without GPS)
		CA		R	GPS
		(red steady white flashing)		(with dry Contacts)	(With GPS)

Notes: 1) Built-in photocell is a must for F86465 dual beacon to detect background lux level for automatically switching between night-red and day-white.

2) Form C type dry contacts, both NO and NC available.

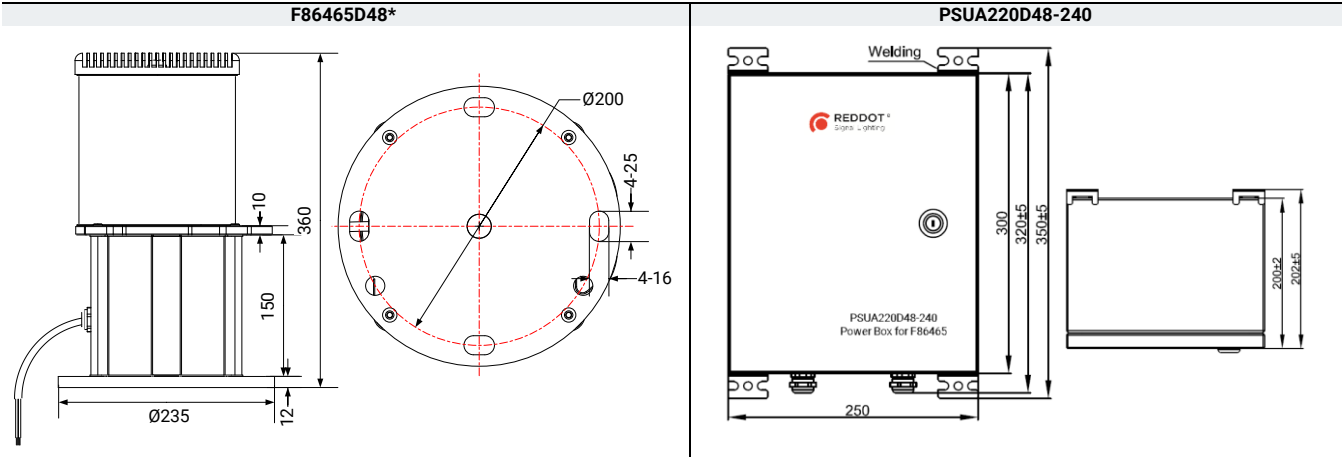
E.g.: F86465D48-BA-P-GPS = Dual medium intensity red/white beacon, 48VDC, red flashing 2000cd at night and white flashing 20,000cd at day, MIOL-A/B, with built-in photocell, with GPS

ORDERING CODE of PSUA220D48-240 power box			
Series	AC Input voltage	DC Output voltage	Converter Power
PSU	A220 (90-264VAC)	D48 (48VDC)	240

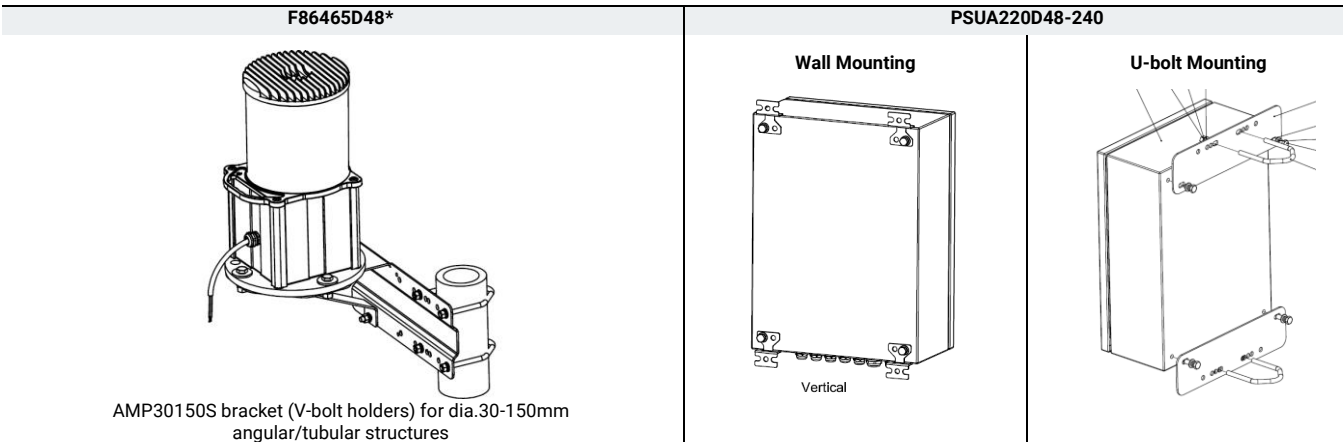
Note: PSUA220D48-240 is the ordering code of power box of F86465 AC system with one F86465D48* unit.



DIMENSIONS

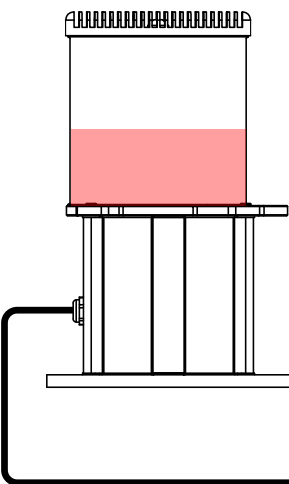


MOUNTING



WIRING DIAGRAM

F86465 48VDC FLASH HEAD



PSUA220D48-240 POWER BOX

