

# F865 LED DC Medium Intensity White Aviation Obstruction Light

•Night: White 2000cd±25% •Day: White 20,000cd±25% •24-48VDC



## ■ COMPLIANCE

- Obstacle Light Medium Intensity Type A, ICAO Annex 14 Volume I July 2016
- FAA AC No. 150/5345-43, L-865
- DGAC Mexico

## ■ APPLICATIONS

- Telecommunication Tower
- TV/Radio Tower
- Transmission Tower
- High-rise building
- Industrial Chimney & Cooling Tower
- Tower Crane
- Bridge
- Wind turbine
- Airfield & helipad
- Storage tank & Water tower
- Oil & Gas offshore platform

## ■ OVERVIEW

F865-DC is a medium intensity white obstruction beacon operating under 24-48VDC. It illuminates 20,000 candelas at daytime and automatically dims to 2,000 candelas at nighttime. F865 model is compliant to FAA L-865 and ICAO medium intensity type A.

F865's LED module consists of 56 OSRAM super-power white LEDs. The optical design ensures the effective intensity and spread beam meet the criteria of ICAO and FAA.

F865 DC light head is equipped with an aluminum column inside and a heatsink on top for enhanced thermal cooling. The straight fin arrangement of the heatsink maximizes airflow to optimize heat dissipation performance and stability.

F865 medium intensity LED obstruction light can work independently with self-controlled configurations (e.g., built-in photocell, flashing program, GPS) as an economical solution. In a central controlling and monitoring system, CB3 control box can connect multiple levels of F865 beacons to achieve synchronous or sequential flashing.

The white medium intensity obstruction light is usually used for unpainted structures over 45m, such as radio and TV towers, chimneys, cooling towers and skyscrapers.

## ■ FEATURES

- Super-bright OSRAM white LEDs, reliable light source ensures long lifespan
- Efficient photometric design provides excellent light distribution
- Internal LED driver and constant current regulator make the light illuminate steadily
- Illuminating 20,000cd at day and automatically reducing to 2,000cd at night
- ICAO obstacle lighting medium intensity type A; FAA type L-865
- Aluminum heatsink provides excellent thermal dissipation performance
- Powder-painted aluminum base provides good weather and corrosion resistant
- Protective vent for balancing pressure and reducing condensation
- Excellent shock and vibration resistant
- UV-stabilized lens, high temperature resistant
- Built-in 20KA surge protector module to protect the light from induction lightning strike
- A handle on the light shoulder makes carrying and lifting easier for deployment
- Prewired cable makes wiring job easier
- Protection: Polarity reverse, overvoltage and shortcircuit
- Optional functions available: alarm relay/GPS
- IP67 waterproof protection



## ■ SPECIFICATIONS

Item		F865-DC Specifications
LIGHT OUTPUT	Effective Intensity	20,000cd±25% at day & twilight; 2,000cd±25% at night
	Vertical beam	>3°
	Horizontal Spread	360°
	Light Source	OSRAM LEDs
	LED Color	White
	LED Lifespan	100,000 Hours
OPERATION	Flash Pattern	20-60FPM (40FPM as default)
POWER SUPPLY	Input Voltage	24-48VDC
	Rated Power	620W@day; 180W@night
	Power Consumption	92W@day; 23W@night
MECHANICAL STRUCTURE	Lens	<b>Photometric lens:</b> Polycarbonate, UV Stabilized <b>Outer lens:</b> Acrylic, UV Stabilized
	Body	Powder-coated extruding aluminum
	Mounting	Four 16*25mm slot holes on bottom 200 mm PCD
	Net Weight	8KG
	Dimension(W*H)	235mm*360mm
	Protection	IP67
	Operation Temperature	-40°C~+70°C
	Operation Humidity	0-95% RH non-condensing
	Wind resistance	Max.240kph
OTHERS	Optional	•Dry alarm contacts •GPS
	Warranty	5 years

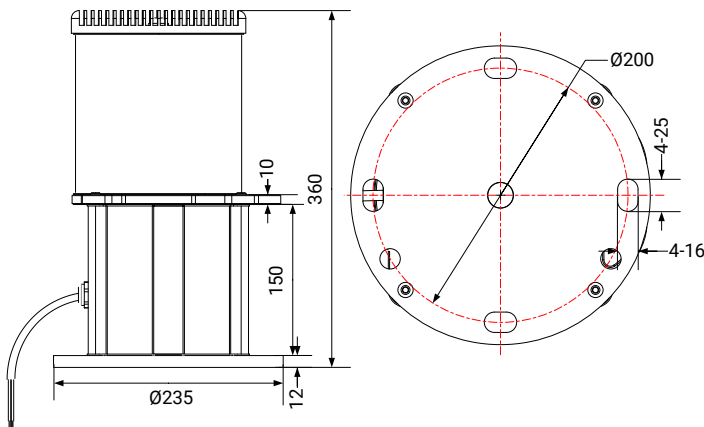
## ■ ORDERING CODE

Main P/N	Voltage	Photosensor <sup>(Note)</sup>	Alarm Relay	GPS
F865	D48 (48VDC)	P (with photosensor)	[Blank] (without dry Contacts)	[Blank] (Without GPS)
	D24 (24VDC)		R (with dry Contacts)	GPS (With GPS)

**Note:** Built-in photocell is a must for F865 dual beacon to detect background lux level for automatically switching intensity level between day and night.

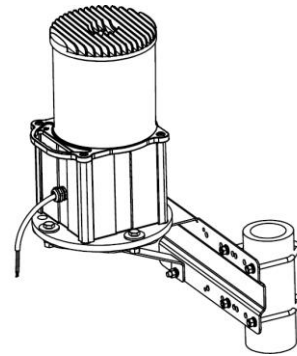
E.g.: F865D48-P-GPS = Medium intensity white beacon, 48VDC, white flashing, 2000cd at night flashing 20,000cd at day, with built-in photocell, with GPS sync

## ■ DIMENSIONS



## ■ MOUNTING

### • V-bolt mounting



AMP30150S bracket (V-bolt holders) for dia.30-150mm angular/tubular structures

