

# F864 LED Medium Intensity Aviation Obstruction Light

•Effective intensity  $2000\text{cd}\pm 25\%$  •ICAO medium intensity type B&C •FAA L-864



## OVERVIEW

F864 is an ICAO certified red LED medium intensity obstruction light ( $2000\text{cd} \pm 25\%$ ). It complies with ICAO Obstacle Lighting medium intensity type B and FAA L-864 under flashing mode. It also complies with ICAO Obstacle Lighting medium intensity type C when steady burning.

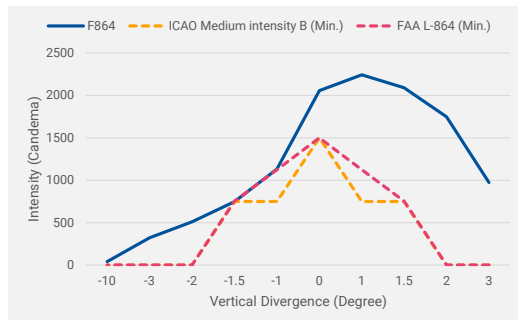
F864's photometric part consists of 28 pcs of ultra-bright OSRAM LEDs and efficient Fresnel Lens. This optical design ensures the effective intensity and spread beam meet the criteria of ICAO and FAA.

F864 medium intensity obstruction light is equipped with an aluminum column inside and a heatsink on top for enhanced thermal cooling. The straight fin arrangement of the heatsink maximizes airflow to optimize heat dissipation performance and stability.

The red medium intensity obstruction lights are usually installed on towers, buildings, cranes, chimneys, windmills and other tall structures over 45 meters. It can work independently with self-controlled configurations (e.g., built-in photocell, alarm relay, flasher) as an economical solution. In most cases, one or more F864 units group with multiple levels of low intensity obstruction lights as a system, controlled and monitored by a control box.

## COMPLIANCE

- Obstacle Light Medium Intensity Type B&C, ICAO Annex 14 Volume I July 2016
- FAA AC No. 150/5345-43, L-864
- DGAC Mexico



## FEATURES

## APPLICATIONS

- Telecommunication Tower
- TV/Radio Tower
- Transmission Tower
- High-rise building
- Industrial Chimney & Cooling Tower
- Tower Crane
- Bridge
- Wind turbine
- Airfield & helipad
- Storage tank & Water tower
- Oil & Gas offshore platform
- 28 pcs of super-bright OSRAM LEDs, reliable light source ensures long lifespan
- The optimized photometric design provides excellent light distribution
- Internal LED driver and constant current regulator make the light illuminate steadily
- Internal Power supply module efficiency up to 90% for AC input voltage
- Aluminum heatsink provides excellent thermal dissipation performance
- The powder-painted aluminum base provides good weather and corrosion resistant
- Protective vent for balancing pressure and reduce condensation
- Excellent shock and vibration resistant
- UV-stabilized lens, high temperature resistant
- Built-in 20KA surge protector module to protect the light from induction lightning strike
- A handle on the light shoulder makes carrying and lifting easier for deployment
- Prewired cable makes wiring job easier
- Protection: Polarity reverse, overvoltage and shortcircuit
- Flash rate adjustable, steady/20-60FPM
- Optional functionalities available: built-in photocell/alarm relay/GPS
- IP67 waterproof protection



## SPECIFICATIONS

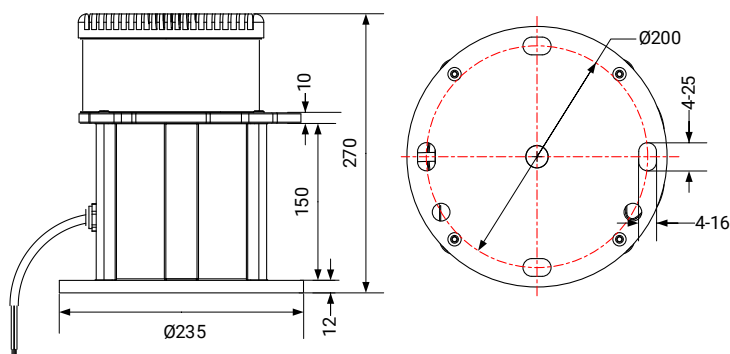
Item		F864 Specifications
LIGHT OUTPUT	Effective Intensity	2000cd±25%
	Vertical beam	>3°
	Horizontal Spread	360°
	Light Source	OSRAM LEDs
	LED Color	Red
	LED Lifespan	100,000 Hours
OPERATION	Flash Pattern	Steady/20-60FPM
POWER SUPPLY	Input Voltage	85-265VAC, 50-60Hz / 48VDC / 24VDC / 12VDC
	Rated Power	40W
	Power Consumption	40W (Steady), 13.3W (40FPM)
MECHANICAL STRUCTURE	Lens	<b>Photometric lens:</b> Polycarbonate, UV Stabilized <b>Outer lens:</b> Acrylic, UV Stabilized
	Body	Powder-coated extruding aluminum
	Mounting	Four 16*25mm slot holes on bottom 200 mm PCD
	Net Weight	6KG
	Dimension(W*H)	235mm*270mm
	Protection	IP67
	Operation Temperature	-40°C~+70°C
	Operation Humidity	0-95% RH non-condensing
	Wind resistance	Max.240kph
OTHERS	Optional	•Built-in photocell •Dry alarm contacts •GPS
	Warranty	5 years

## ORDERING CODE

Main P/N	Voltage	Flashing	Photosensor	Alarm Relay	GPS
F864	A220 (85-265VAC)	C (Steady)	[Blank] (without photosensor)	[Blank] (without Alarm Contacts)	[Blank] (Without GPS)
	A120 (85-265VAC)	B (Flashing)	P (with photosensor)	R (with Alarm Contacts)	GPS (With GPS)
	D48 (48VDC)				
	D24 (24VDC)				
	D12 (12VDC)				

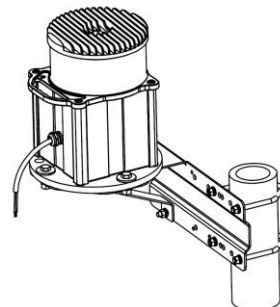
E.g.: F864A220BP = LED medium intensity obstruction light, 85-265VAC, red flashing 2000cd, with built-in photocell

## DIMENSIONS



## MOUNTING

### V-bolt mounting



AMP30150S bracket (V-bolt holders) for dia.30-150mm angular/tubular structures

